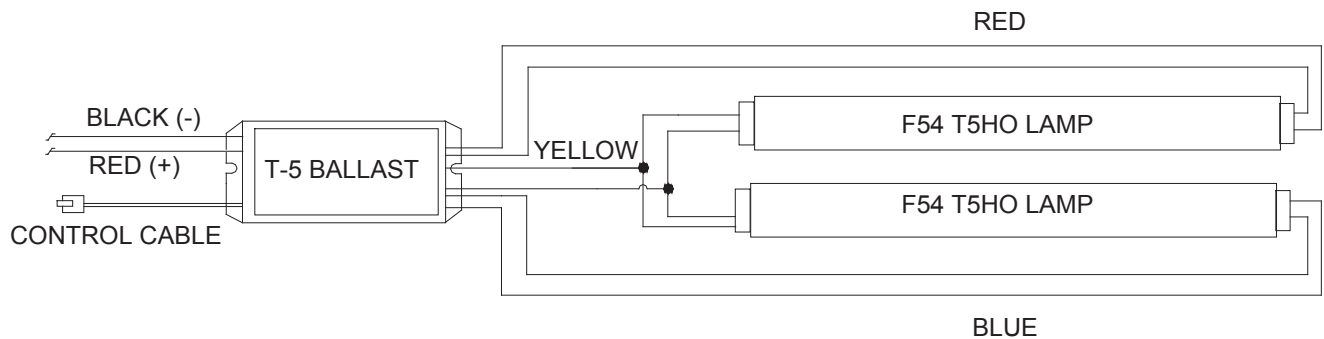
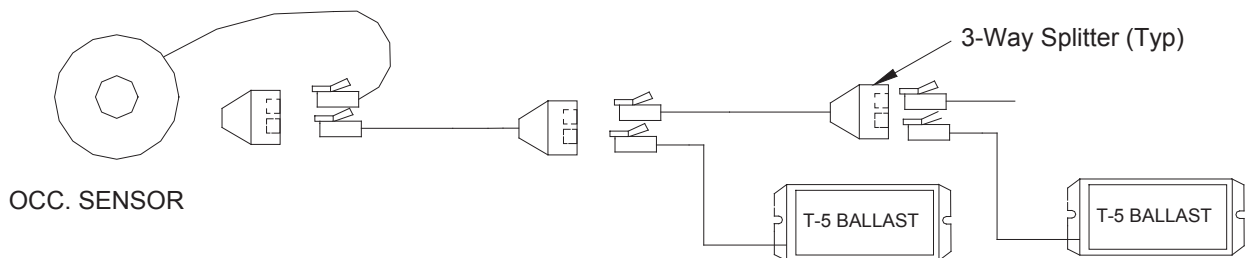


NEXTEK KT2-54-R-S-53VDC

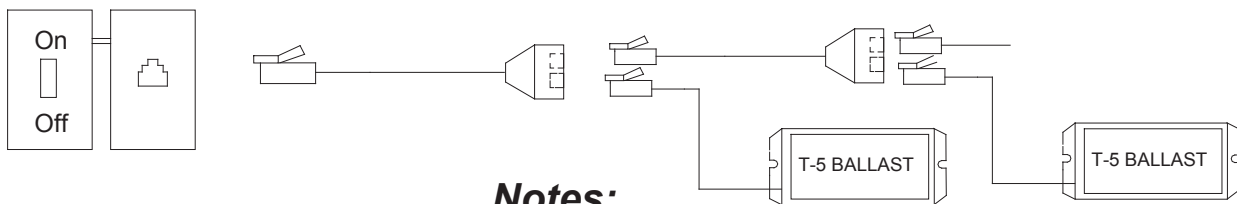
Operating Voltage: 48VDC Nominal
DC Input Current: 2.2 Amps
Open Circuit Voltage: 800V Nominal
Open Circuit Voltage to Ground: <600V
Crest Factor: <1.70
Safety Standards: UL 935
Dimensions: 5" Lg. x 1.3 H x 2.25" W (6 .25" L with bottom flange)
Weight: 2 lbs.
Construction: Aluminum shell with full internal potting seal
ON/OFF Control: Optically isolated signal current via standard low voltage wire (Telephone Cable) and an RJ11 connector



DC Ballast Wiring Diagram



Switch/Occupancy Sensor Wiring Diagram
 Low voltage cable does not require conduit



Notes:

1. Nine (9) T-5 Ballasts may be connected to each NPS-1000 CCA Power Supply Module
2. Up to (70) T-5 Ballasts max. may be wired on a single RJ-11 string